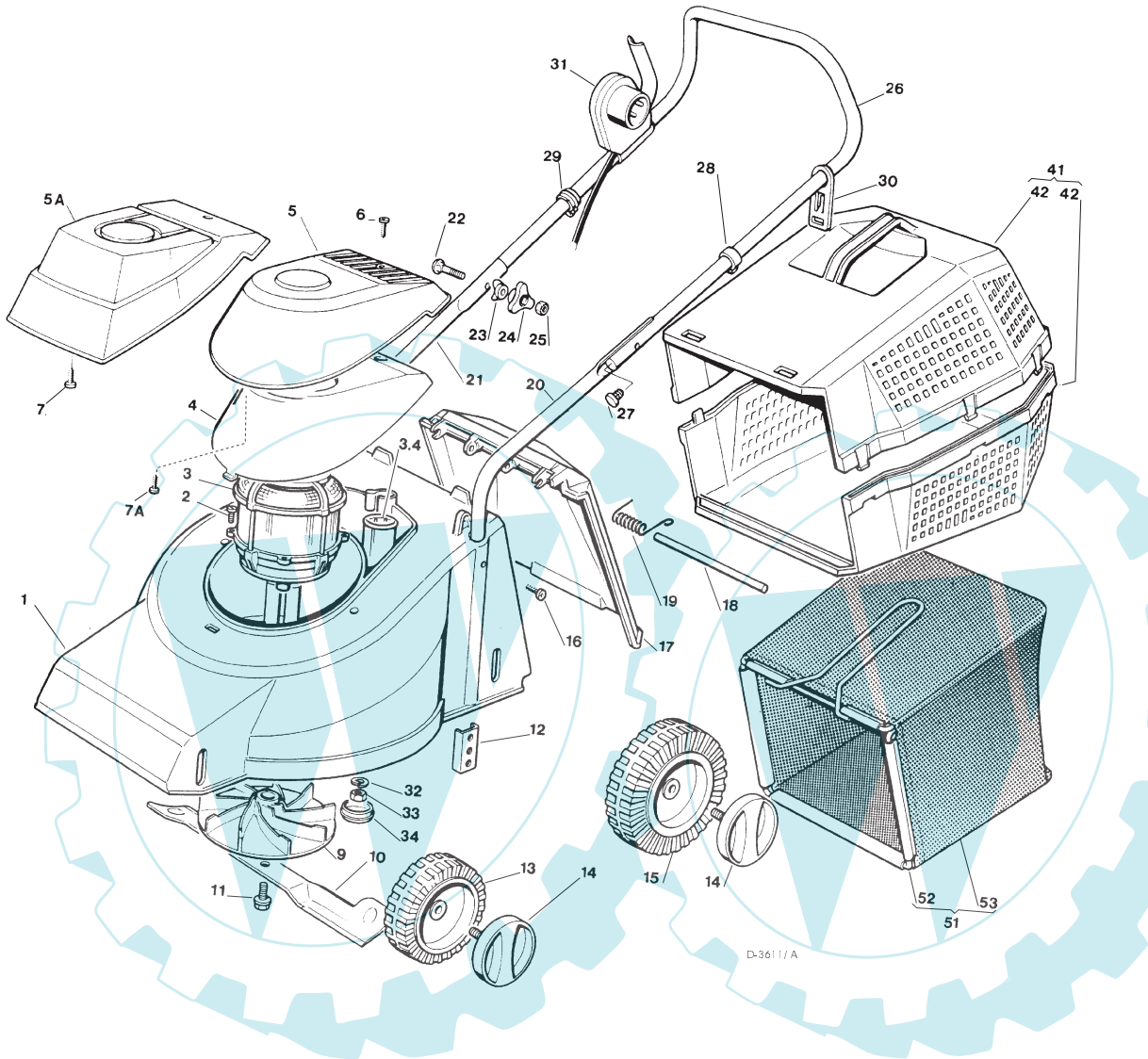


# K 390



SPARE PARTS CATALOGUE  
 GB  
 D  
 ERSATZTEILKATALOG  
 D  
 CATALOGO DELLE PARTI  
 DI RICAMBIO  
 I  
 CATALOGUE DES PIÈCES  
 DE RECHANGE  
 F

T-3651/A

Pos. Nr.	Codice Code Kodex	Q.tà Q.ty-Q.tè Menge	Descrizione	Description	Description	Beschreibung
1			CHASSIS	DECK	CHÂSSIS	GEHÄUSE
—	81 001 481/ 0	1	ROSSO	RED	ROUGE	ROTES
—	81 001 482/ 0	1	GIALLO	YELLOW	JAUNE	GELBES
—	81 001 480/ 0	1	VERDE	GREEN	VERT	GRÜNES
2	1273541 0/ 0	4	VITE	SCREW	VIS	SCHRAUBE
3			MOTORE	MOTOR	MOTEUR	MOTOR
—	18563065/ 0	1	IBMEI 1200W (230V)	IBMEI 1200W (230V)	IBMEI 1200W (230V)	IBMEI 1200W (230V)
—	18563067/ 0	1	IBMEI 1200W (240V)	IBMEI 1200W (240V)	IBMEI 1200W (240V)	IBMEI 1200W (240V)
3-4	18222036/ 0	1	CONDENSATORE 12 µF	CONDENSER 12 µF	CONDENSEUR 12 µF	KONDENSATOR 12 µF
4	22055032/ 0	1	SUP. CAPOTTINA	COVER SUPPORT	SUPPORT CAPOT	HAUBEHALTER
5	81 002007/ 0	1	ASS. CAPOTTINA	COVER ASS.Y	ENS. CAPOT	KOMPLETTE HAUBE
5A	81 002006/ 0	1	ASS. CAPOTTINA	COVER ASS'Y	ENS. CAPOT	KOMPLETTE HAUBE
6	12728680/ 0	1	VITE	SCREW	VIS	SCHRAUBE
7	12728450/ 0	1	VITE	SCREW	VIS	SCHRAUBE
7A	12728680/ 0	1	VITE	SCREW	VIS	SCHRAUBE
9	22465602/ 0	1	MOZZO	HUB	MOYEU	NABE
10	81 004117/ 1	1	COLTELLO	BLADE	LAME	MESSER

Pos. Nr.	Codice Code Kodex	Q.tà Q.ty-Q.tè Menge	Descrizione	Description	Description	Beschreibung
11	81004352/ 0	1	VITE	SCREW	VIS	SCHRAUBE
12	22785087/ 1	4	SUPP. RUOTE	WHEELS SUPPORT	SUPPORT ROUE	RADHALTER
13	22686081/ 0	2	RUOTA Ø 130	WHEEL Ø 130	ROUE Ø 130	RAD Ø 130
14	—	—	COPRIMOZZO	HUB CAP	COUVRE-MOYEU	RADKAPPE
—	81004348/ 0	4	BIANCO	WHITE	BLANC	WEIßE
—	81004347/ 0	4	GIALLO	YELLOW	JAUNE	GELBE
—	81004354/ 0	4	ROSSO	RED	ROUGE	ROTE
15	22686082/ 0	2	RUOTA Ø 160	WHEEL Ø 160	ROUE Ø 160	RAD Ø 160
16	12728450/ 0	2	VITE	SCREW	VIS	SCHRAUBE
17	22600044/ 1	1	PARASSASSI	STONE-GUARD	PARE-PIERRES	PRALLBLECH
18	22512601/ 0	1	PERNO	PIN	PIVOT	BOLZEN
19	22450250/ 0	1	MOLLA	SPRING	RESSORT	FEDER
20	81006940/ 0	1	MANICO INF. SX	L. LOWER HANDLE	MANCHERON INF. G.	L. UNTERHOLM
21	81006939/ 0	1	MANICO INF. DX	R. LOWER HANDLE	MANCHERON INF. D.	R. UNTERHOLM
22	12819120/ 0	2	VITE	SCREW	VIS	SCHRAUBE
23	22680006/ 1	2	RONDELLA	WASHER	RONDELLE	SCHEIBE
24	22399900/ 0	2	MANOPOLINA	KNOB	POIGNÉE	GRIF
25	12293200/ 0	2	DADO	NUT	ECROU	MUTTER
26	81006941/ 2	1	PARTE SUP. MANICO	UPPER HANDLE	PARTIE SUP. MANCHERON	OBERHOLM
27	18566112/ 0	2	TAPPO	CAP	BOUCHON	GUMMISTOPFEN
28	22192151/ 0	1	FERMACAVO	FAIRLEAD	FIXATION CABLE	KABELBEFESTIGUNG
29	22192000/ 1	1	FASCETTA ANCORAGGIO	ANCHOR CLAMP	COLLIER ANCRAGE	BOWDENZUGHALTER
30	22195101/ 1	1	FERMACAVO	FAIRLEAD	FIXATION CABLE	KABELBEFESTIGUNG
31	—	—	SALVAMOTORE M.M.	DEAD HAND SWITCH M.M.	INT. MAIN MORTE M.M.	TOT MANSCHALTER M.M.
—	18710561/ 0	1	7 A 602 MS (1200W)	7 A 602 MS (1200W)	7 A 602 MS (1200W)	7 A 602 MS (1200W)
—	18710608/ 0	1	7 A 603 MS (1200W)	7 A. 603 MS (1200W)	7 A 603 MS (1200W)	7 A 603 MS (1200W)
—	—	—	SOLO PER SVIZZERA	ONLY FOR SWITZERLAND	SEULEMENT POUR LA SUISSE	NUR FÜR SCHWEIZ
—	18710620/ 1	1	7 A 607 MS (1200W)	7 A 607 MS (1200W)	7 A 607 MS (1200W)	7 A 607 MS (1200W)
—	18710626/ 1	1	SENZA PROT. TERMICA	601 MS WITHOUT OVERLOAD	601 MS SANS PROTECTION	601 MS OHNE THERMISCHER
—	—	—	601 MS	PROTECTION	TERMIQUE	SHUTZ
—	18710627/ 0	1	SENZA PROT. TERMICA	603 MS WITHOUT OVERLOAD	603 MS SANS PROTECTION	603 MS OHNE THERMISCHER
—	—	—	603 MS	PROTECTION	TERMIQUE	SHUTZ
32	12540260/ 0	1	GROWER	GROWER	GROWER	FEDERRING
33	12293200/ 0	1	DADO	NUT	ECROU	MUTTER
34	22110275/ 0	1	TAPPO	CAP	BOUCHON	GUMMISTOPFEN
41	97008000/ 0	1	SACCO COMPLETO	COMPLETE GRASS-BOX	BAC COMPLET	KOMPLETTER KORB
42	22486069/ 0	2	PARTE INF.-SUP. SACCO	UPPER. LOWER GRASS-BOX	PARTIE SUP.-INF. SAC	OBER-UNTERKORB
51	97007000/ 0	1	ASS. SACCO TELA	CANVASS GRASSCATCHER	ENSEMBLE SAC EN TOILE	KOMPLETTER SACK
52	81006417/ 0	1	TELAIO	CHASSIS	CHASSIS	RAHMEN
53	81002147/ 0	1	TELA SACCO	FABRIC BOX	TOILE POUR SAC	TUCK FÜR SACK
—	81008592/ 0	1	DOTAZIONE VITERIA	SCREWS OUTFIT	DOTATION VISSERIE	SCHRAUBEN SATZ